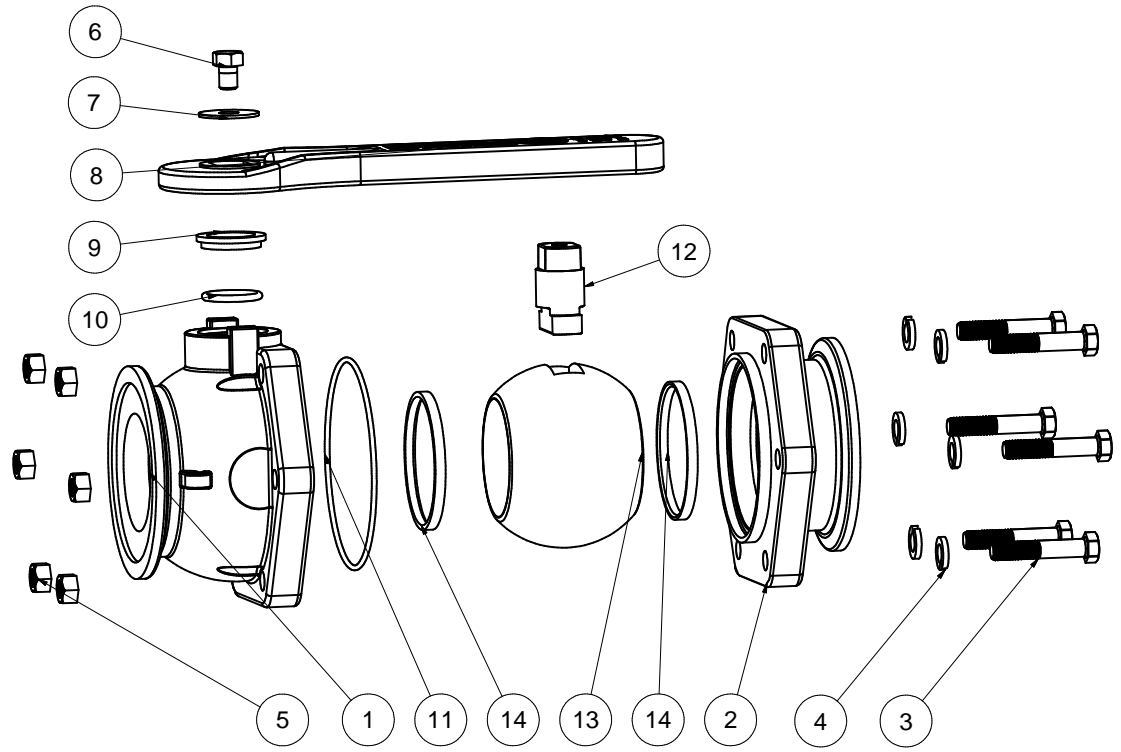



Parts List			
ITEM	QTY	PART NUMBER	DESCRIPTION
1	1	MVS30254	3" MANIFOLD STUBBY BODY
2	1	VS30278	3" Std Port Manifold Endplate
3	6	V20010SS	3/8-16 X 2" HHCS
4	6	V20018	3/8" LOCKWASHER
5	6	V20019	3/8" HEX NUT
6	1	V25020	3/8" Handle Bolt
7	1	V25121	3/8" Fender Washer
8	1	V25153	2" FP Handle
9	1	V25160	Stem Bushing
10	1	V25163	#214 FKM O-RING
11	1	V30265	#156 FKM O-RING
12	1	VS25151B	2" FP Stubby Stem
13	1	VS30255	3" VALVE BALL
14	2	VS30258	3" Stubby Valve Seat



THIS DRAWING AND ALL INFORMATION CONTAINED THEREON ARE THE EXCLUSIVE PROPERTY OF BANJO CORPORATION. UNLESS SPECIFICALLY NOTED, THIS DRAWING AND ITEMS SHOWN ON THIS DRAWING ARE SUBJECT TO CHANGE AT ANY TIME.

	
BANJO CORPORATION 150 BANJO DRIVE, CRAWFORDSVILLE, IN 47933 WEB SITE: WWW.BANJOCORP.COM E-MAIL: BANJOSALES@IDEXCORP.COM	
DESCRIPTION	
3" STUBBY MANIFOLD VALVE	
PART NUMBER	
MVS300CF	